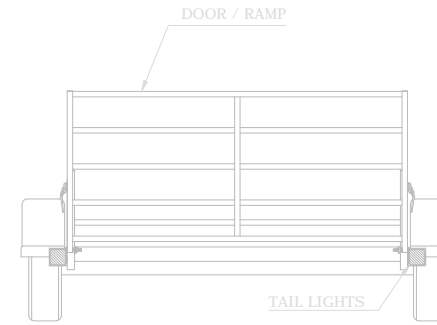
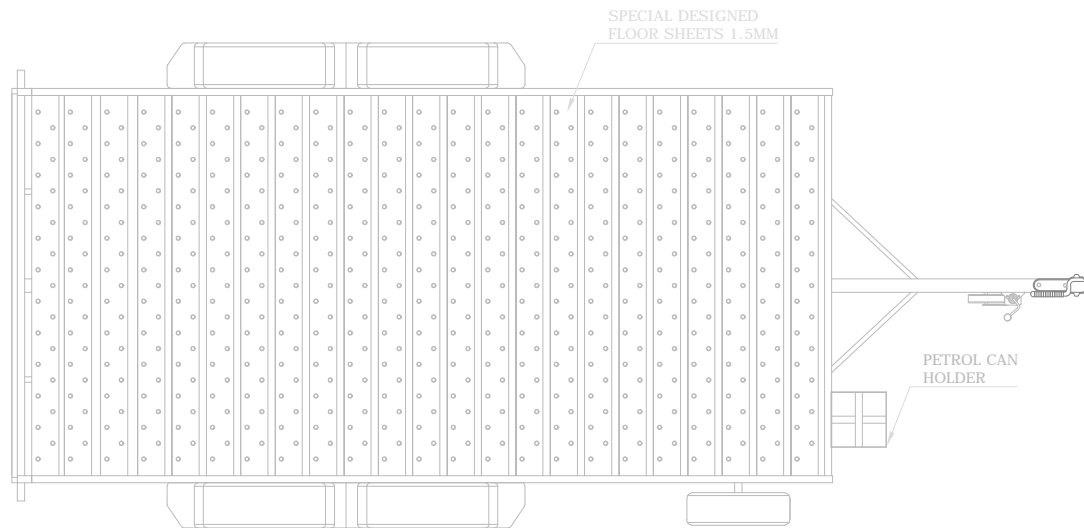


SIDE VIEW



REAR VIEW



PLAN

NOTE :
*ALL DIMENSIONS ARE IN MM

CLIENT :

M/S. NATIONAL GUARD
ABU DHABI

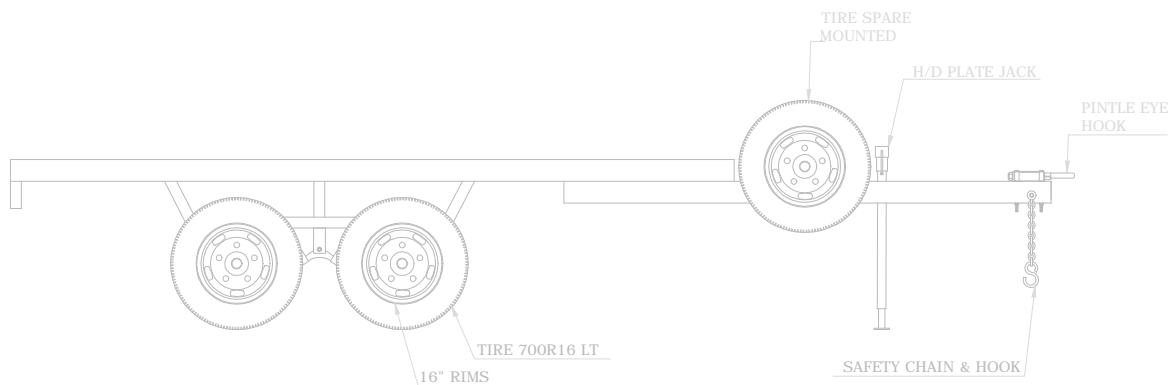
MANUFACTURER :



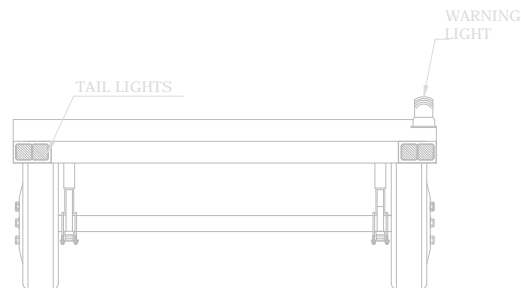
ABU DHABI
Email : info@f1trailers.ae

TITLE
GALVANIZED FINISH UTV TRAILER
1500X2200MM

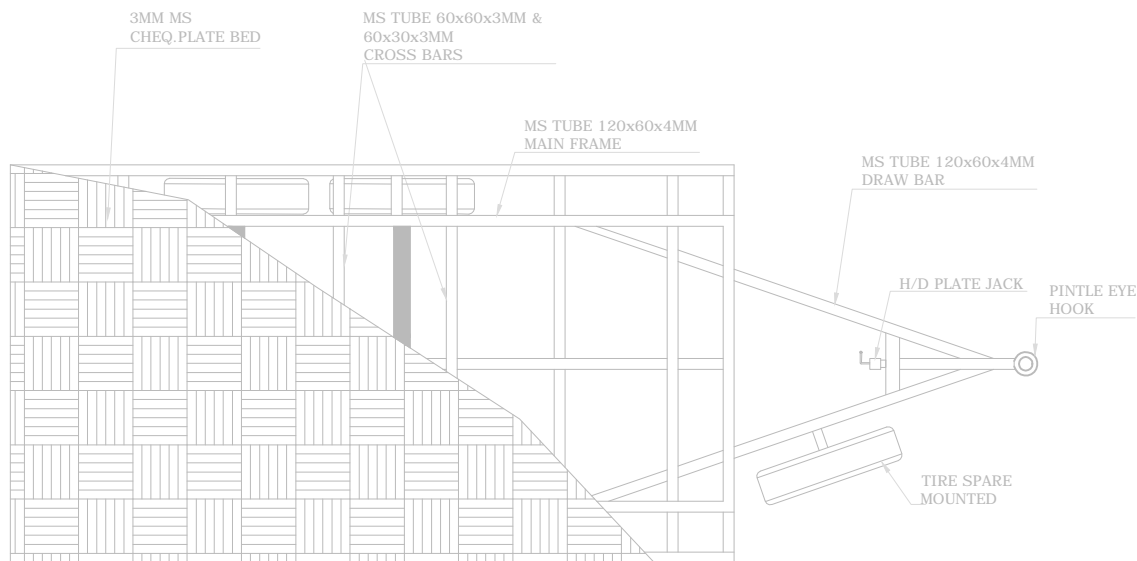
DRAWN BY	MSR	DATE	11-12-23
CHECKED BY		SCALE	NTS
APPROVED BY		DWG NO	UTV450220



SIDE VIEW



REAR VIEW



PLAN

NOTE :

*ALL DIMENSIONS ARE IN MM

CLIENT :

M/S. DOLPHIN GROUP

MANUFACTURER :



ABU DHABI
Email : info@f1trailers.ae

TITLE

FLAT BED TRAILER 400X220 CM

DRAWN BY MSR

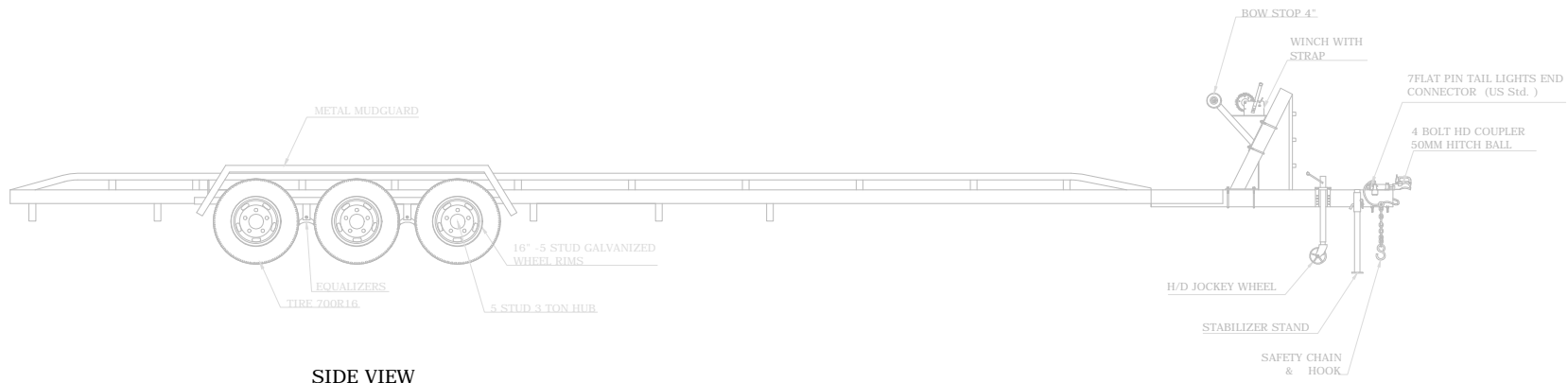
DATE
23-10-23

CHECKED BY

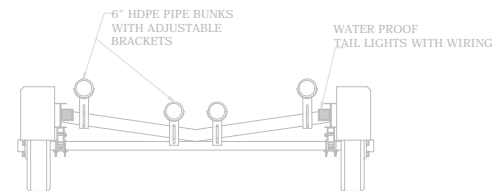
SCALE
NTS

APPROVED BY

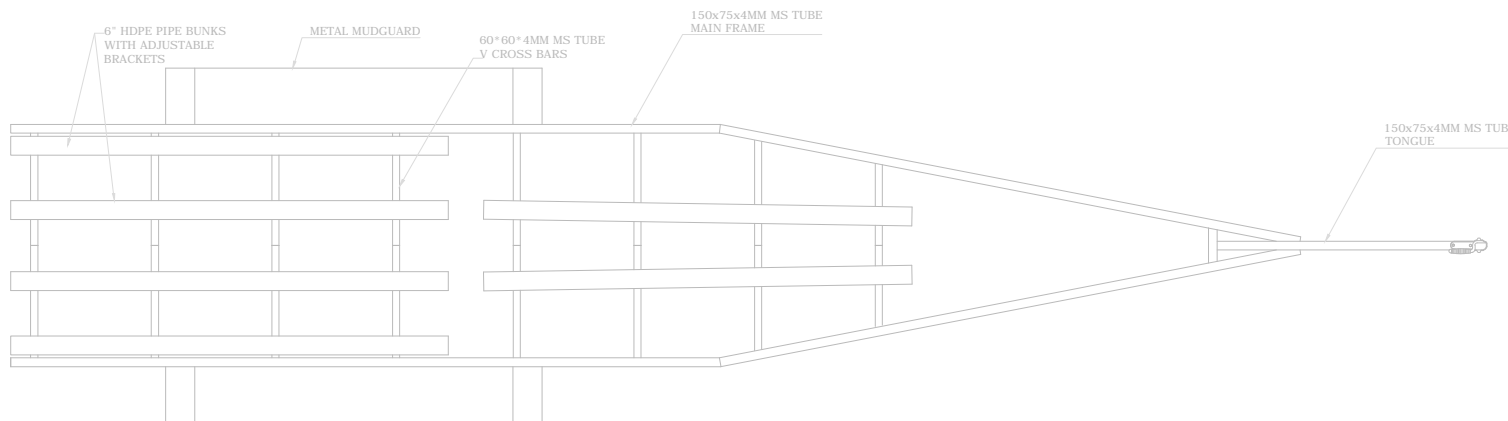
DWG NO
FB400220/01



SIDE VIEW



REAR VIEW



PLAN

NOTE :

*ALL DIMENSIONS ARE IN MM

CLIENT :

M/S. ZAWARIQUE MARINE
JEDDAH - KSA

MANUFACTURER :



ABU DHABI
Email : info@f1trailers.ae

TITLE

38 FT BOAT TRAILER

DRAWN BY MSR

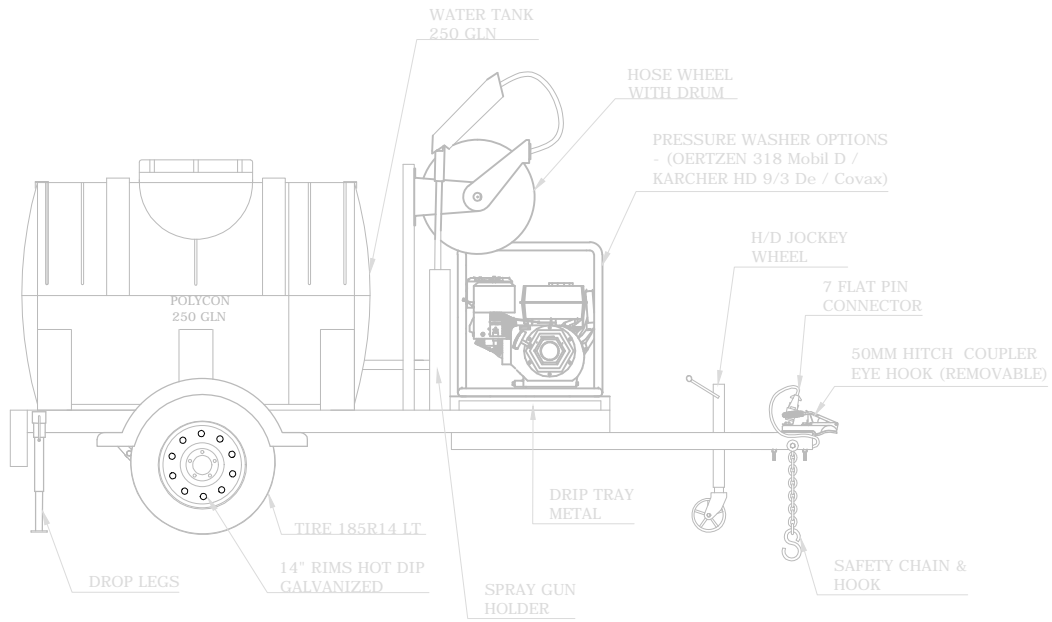
DATE
23-10-23

CHECKED BY

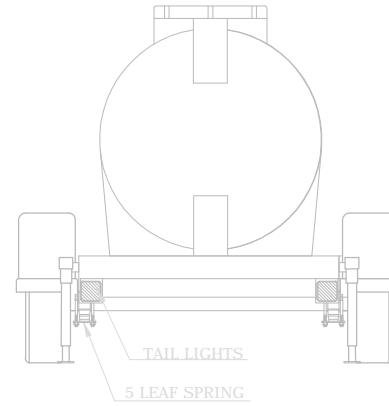
SCALE
NTS

APPROVED BY

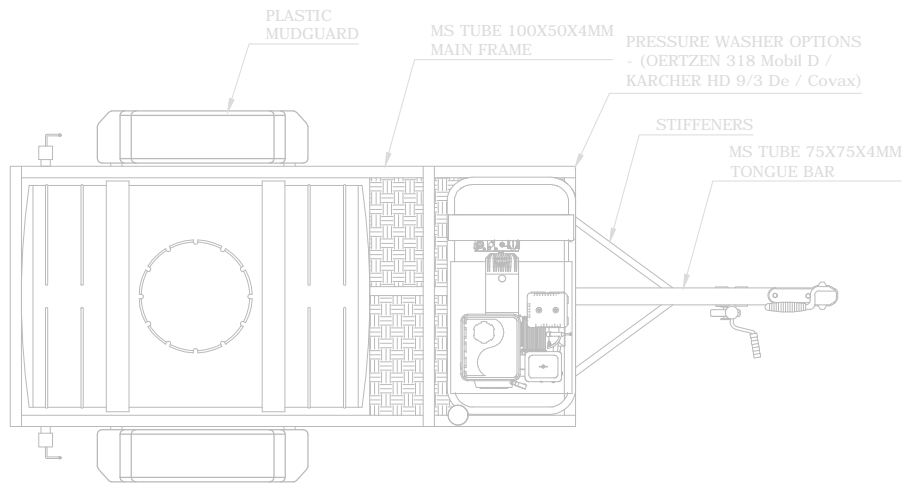
DWG NO
BT03803/2



SIDE VIEW



REAR VIEW



PLAN

NOTE :

*ALL DIMENSIONS ARE IN MM

CLIENT :

M/S. PLC CONTRACTING DUBAI

MANUFACTURER :



ABU DHABI
Email : info@f1trailers.ae

TITLE

PRESSURE WASHER TRAILER

DRAWN BY MSR

DATE
18-03-23

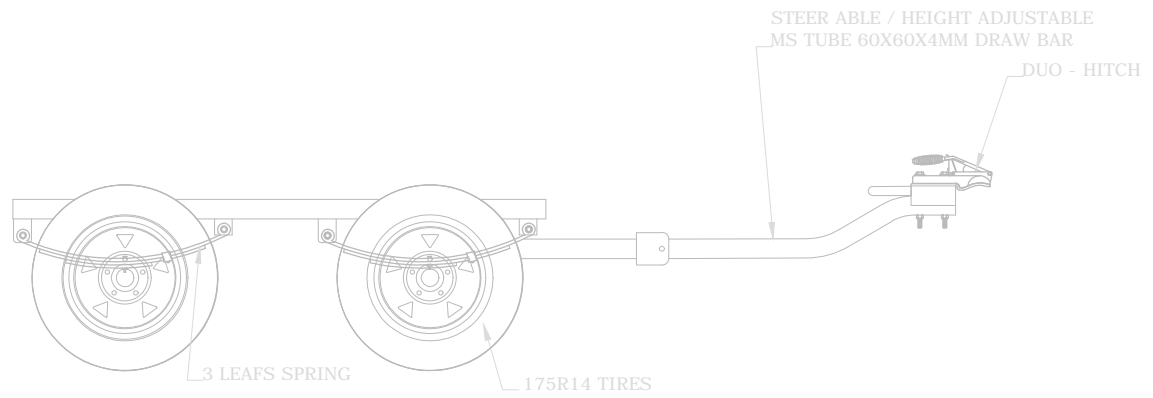
CHECKED BY

SCALE
NTS

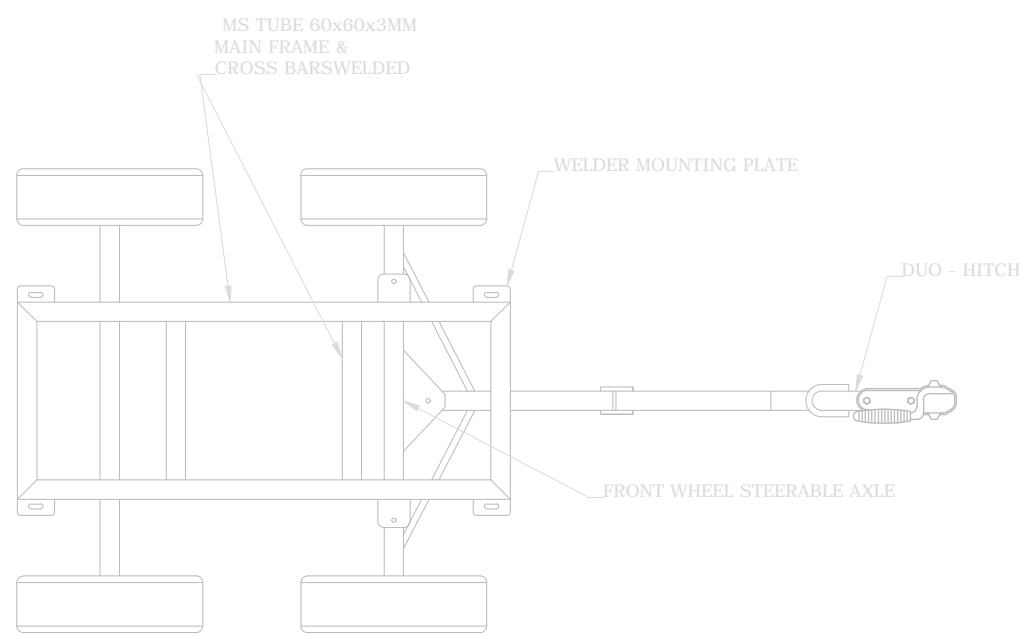
APPROVED BY

DWG. NO
EQ2501168

NOTE :
*ALL DIMENSIONS ARE IN MM



SIDE VIEW



PLAN

CLIENT :

M/S. LION INTERNATIONAL

MANUFACTURER :



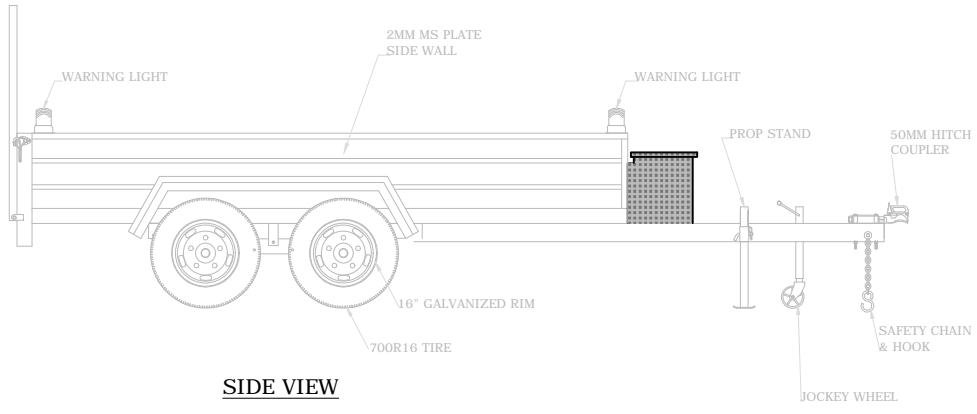
ABU DHABI
Email : info@f1trailers.ae

TITLE
WELDER STEERABLE TRAILER

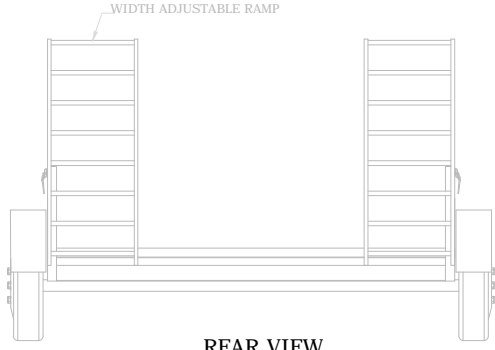
DRAWN BY MSR / DATE 12-APR-23

CHECKED BY / SCALE NTS

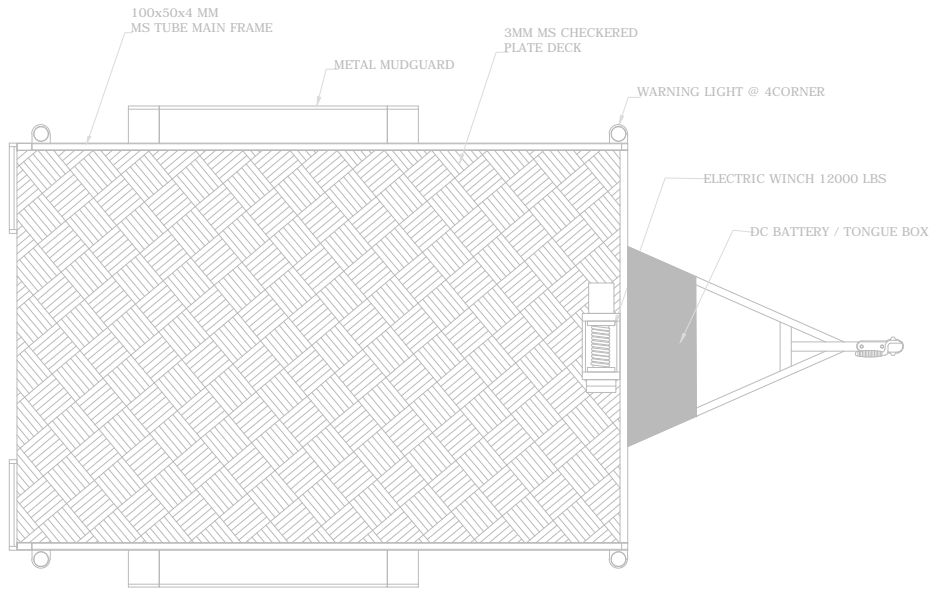
APPROVED BY / REF NO. CT00610158



SIDE VIEW



REAR VIEW



PLAN

NOTE :
*ALL DIMENSIONS ARE IN MM

CLIENT :

M/S. SHARJAH AIRPORT

MANUFACTURER :



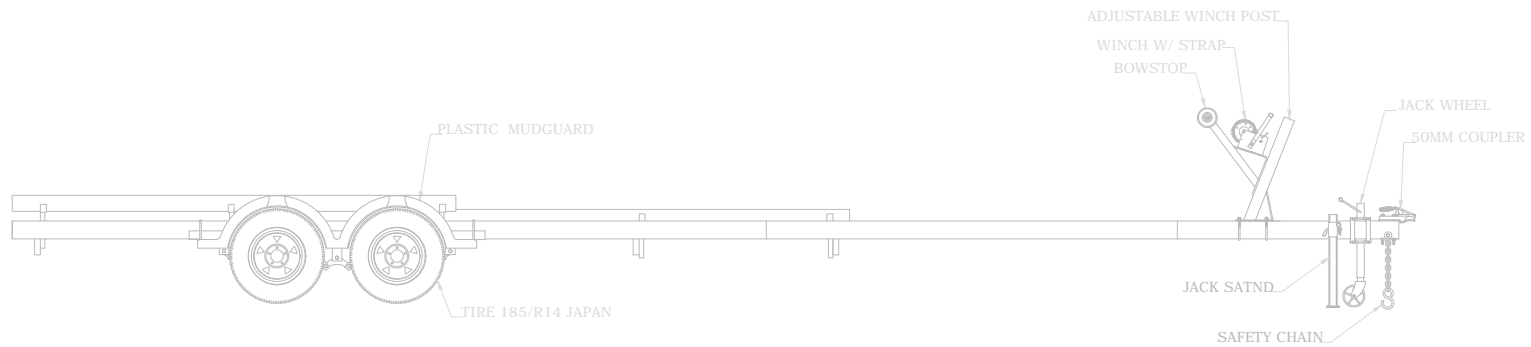
ABU DHABI
Email : info@f1trailers.ae

TITLE
EQUIPMENT TRAILER

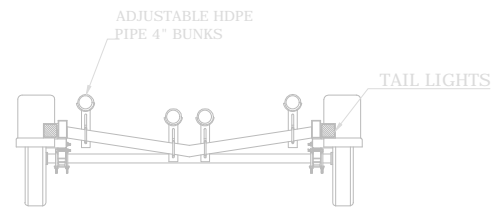
DRAWN BY MSR DATE 07-06-20

CHECKED BY SCALE NTS

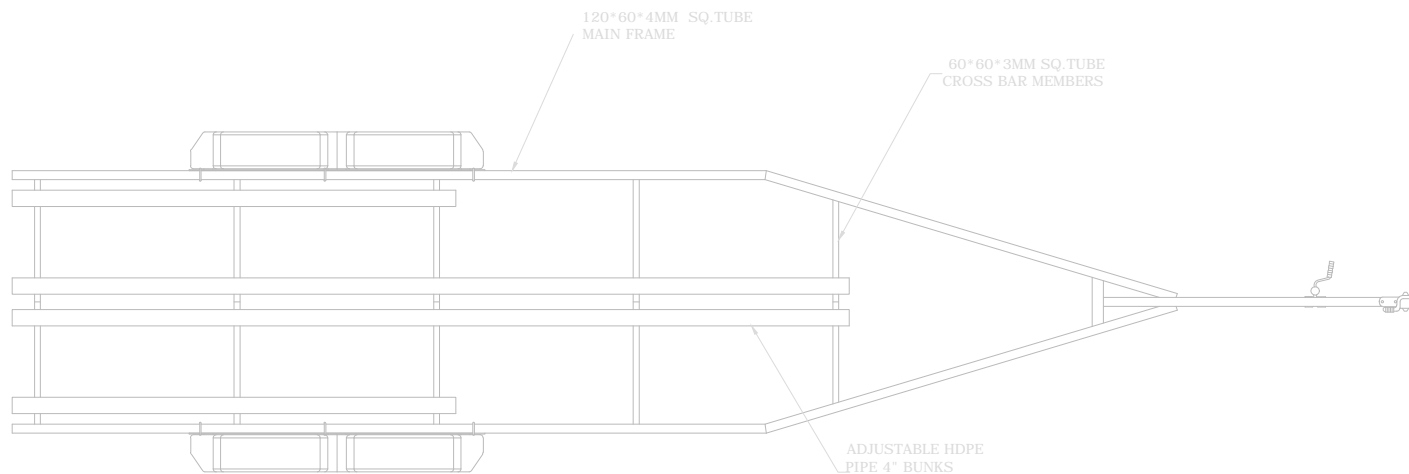
APPROVED BY DWG NO UT120100



SIDE VIEW



REAR VIEW



PLAN

NOTE :
*ALL DIMENSIONS ARE IN MM

CLIENT :

M/S. MILIPOL INTERNATIONAL

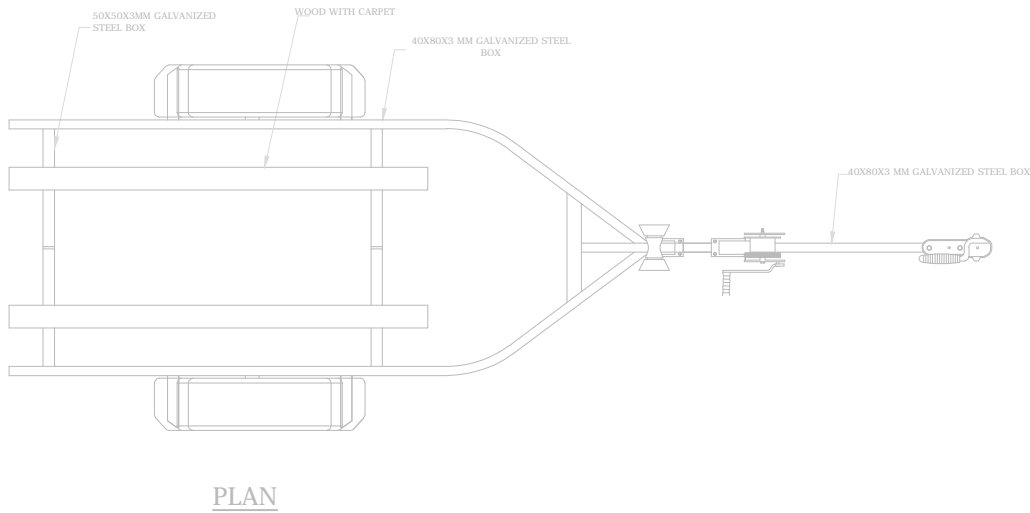
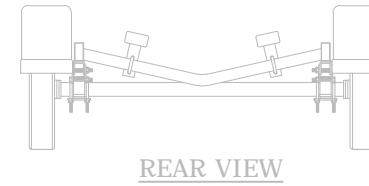
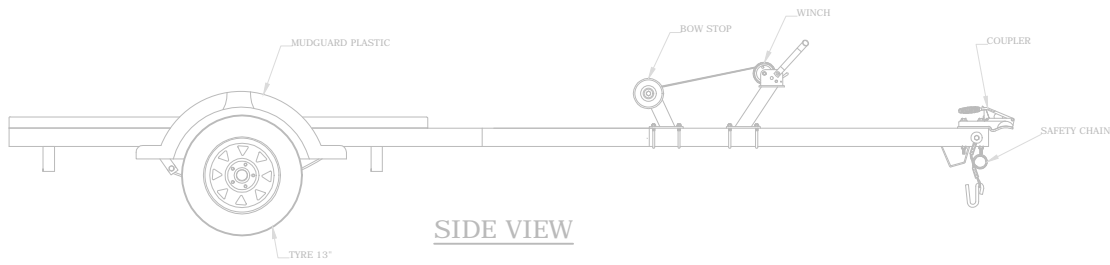
MANUFACTURER :



ABU DHABI
Email : info@f1trailers.ae

TITLE
27 FT BOAT TRAILER

DRAWN BY	MSR	DATE	13-08-21
CHECKED BY		SCALE	NTS
APPROVED BY		DWG. NO	BT03803/2



NOTE :
*ALL DIMENSIONS ARE IN MM

CLIENT :

M/S. DELMA MARINE

MANUFACTURER :



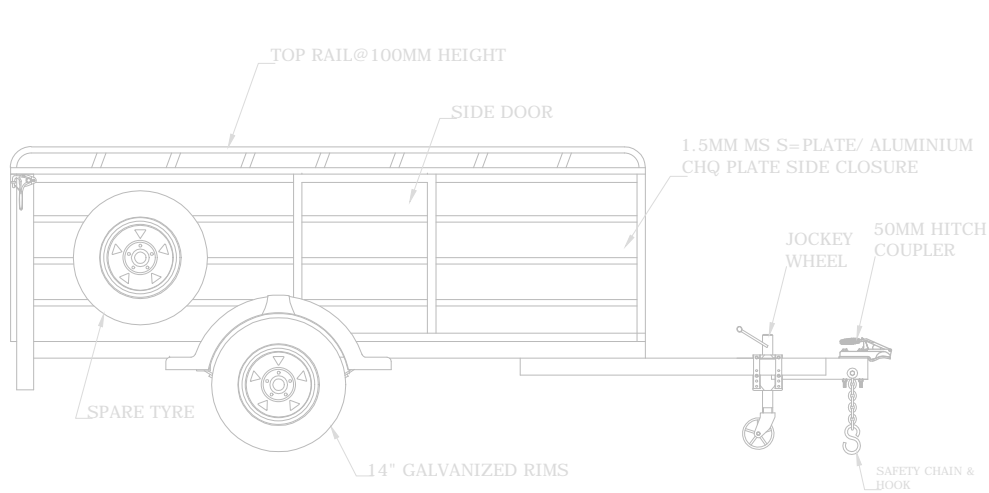
ABU DHABI
Email : info@f1trailers.ae

TITLE
JET-SKI TRAILER

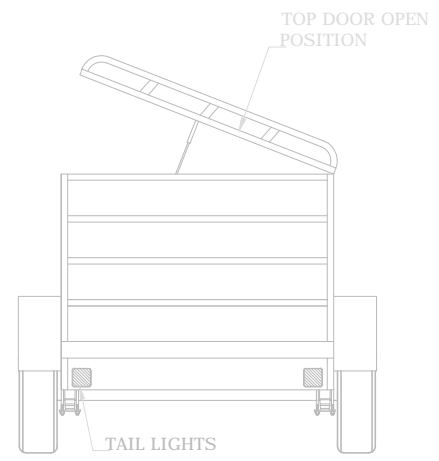
DRAWN BY MSR DATE 26-03-23

CHECKED BY SCALE NTS

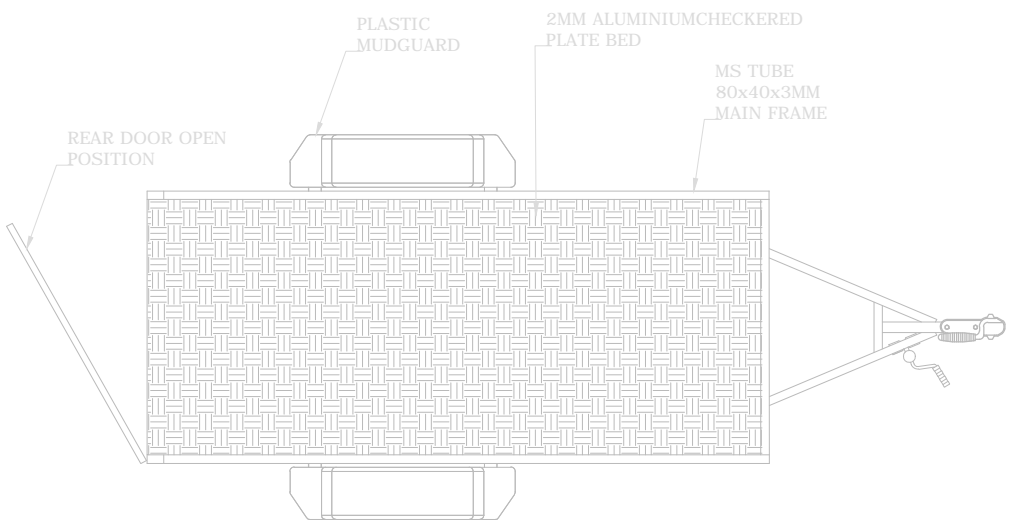
APPROVED BY PWC1



SIDE VIEW



REAR VIEW



PLAN

NOTE :
*ALL DIMENSIONS ARE IN MM

CLIENT :

MR. EBRAHIM

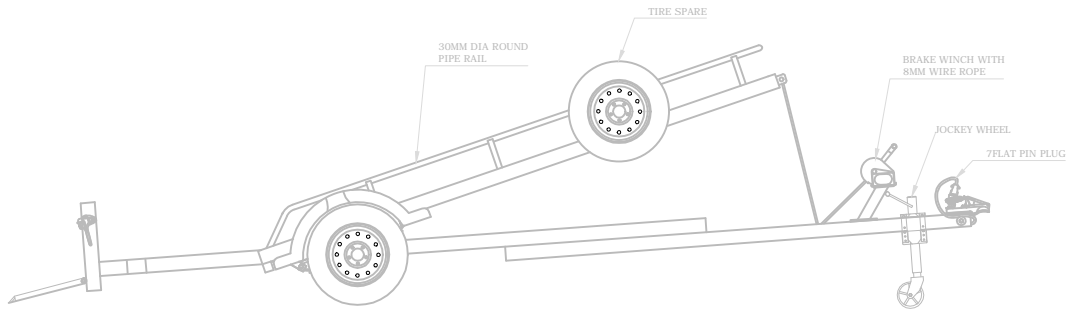
MANUFACTURER :



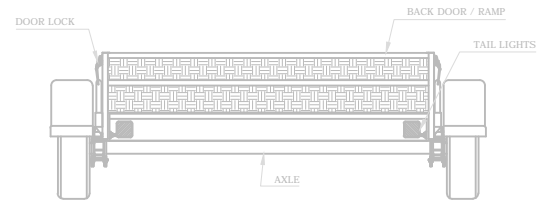
ABU DHABI
Email : info@f1trailers.ae

TITLE
CAMPING TRAILER 300X130X80CM

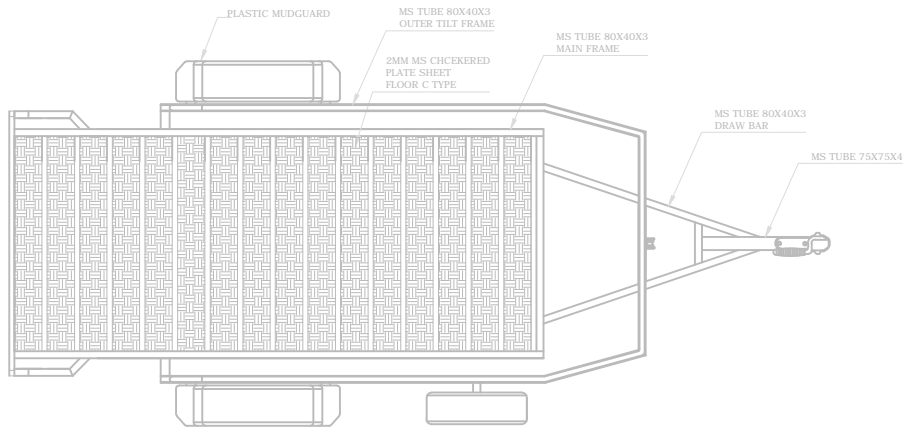
DRAWN BY	MSR	DATE	07-03-23
CHECKED BY		SCALE	NTS
APPROVED BY		DWG. NO	CMP1901128



SIDE VIEW



REAR VIEW



PLAN

NOTE :

*ALL DIMENSIONS ARE IN MM

CLIENT :

MR.

MANUFACTURER :



ABU DHABI
Email : info@f1trailers.ae

TITLE

MOTOR BIKE TRAILER

DRAWN BY MSR

DATE
12-08-22

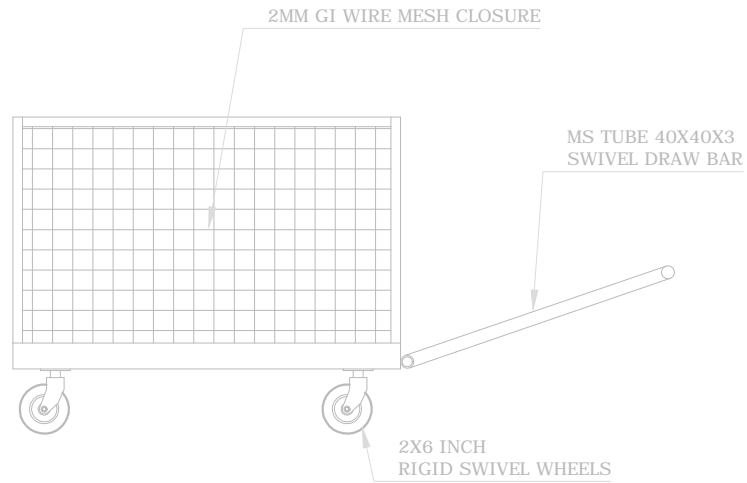
CHECKED BY

SCALE
NTS

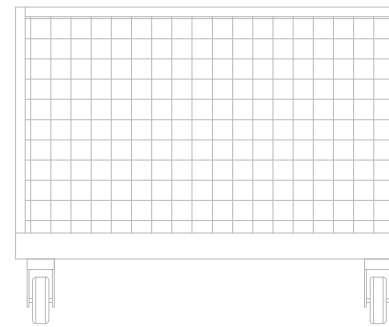
APPROVED BY

DWG NO
MTBK001

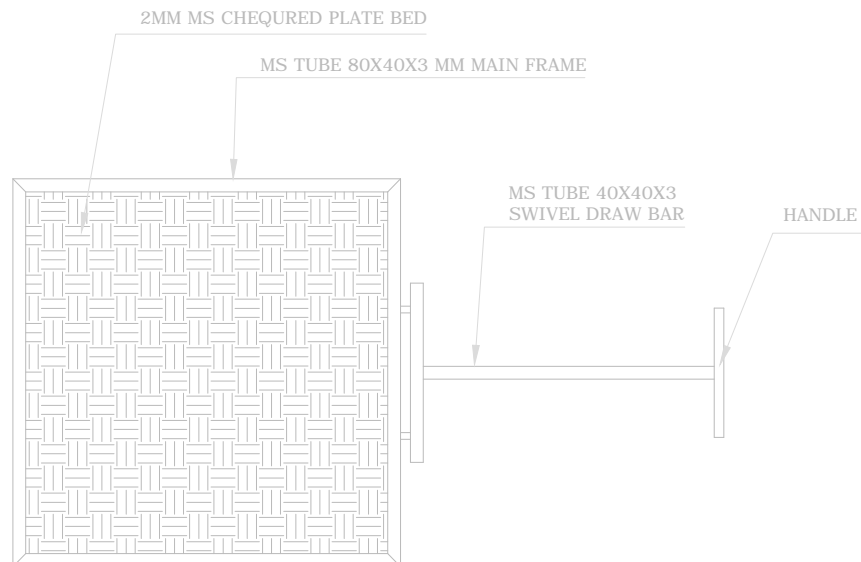
NOTE :
*ALL DIMENSIONS ARE IN MM



SIDE VIEW



REAR VIEW



PLAN

CLIENT :

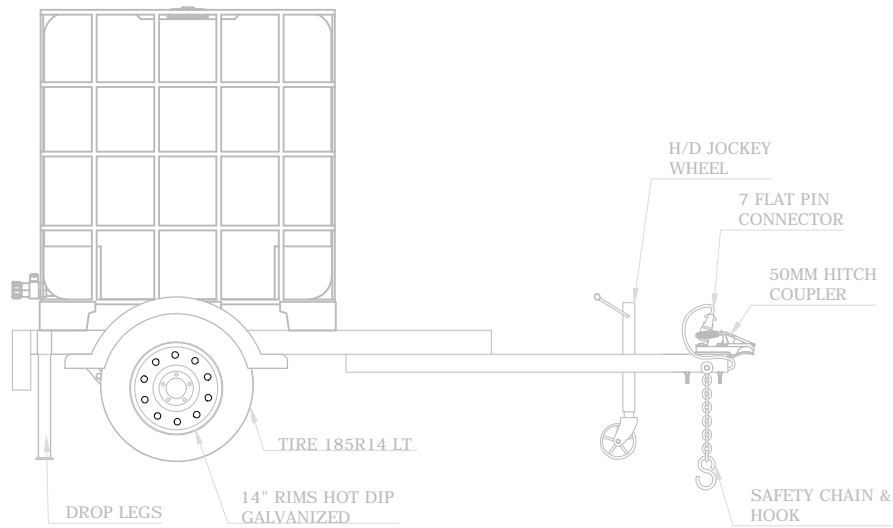
MANUFACTURER :



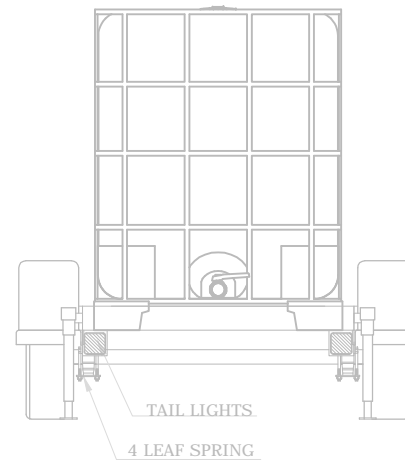
ABU DHABI
Email : info@f1trailers.ae

TITLE
LUGGAGE TROLLY

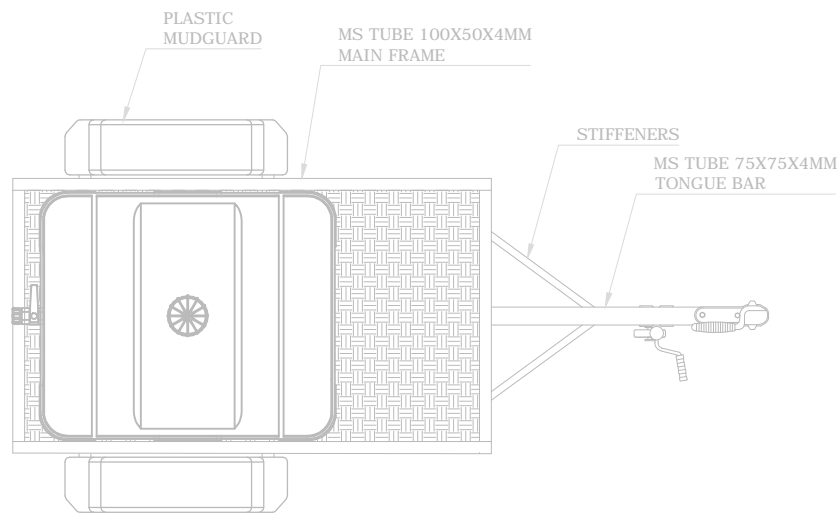
DRAWN BY	MSR	DATE	13-06-21
CHECKED BY		SCALE	NTS
APPROVED BY		DWG NO	PWC1



SIDE VIEW



REAR VIEW



PLAN

NOTE :

*ALL DIMENSIONS ARE IN MM

CLIENT :

MANUFACTURER :



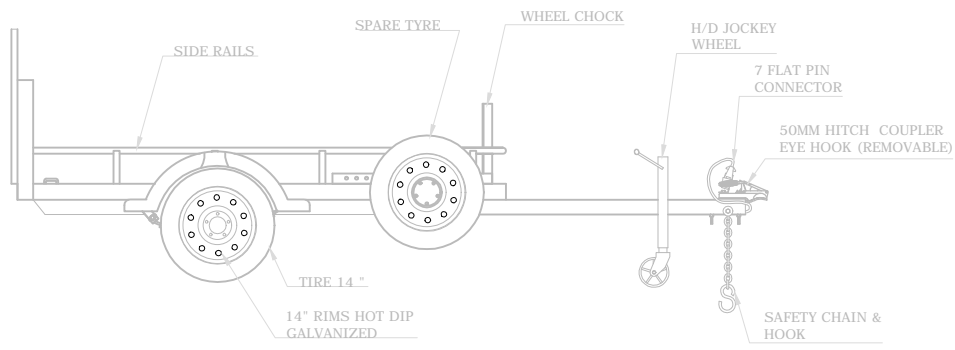
ABU DHABI
Email : info@f1trailers.ae

TITLE
LUGGAGE TROLLY

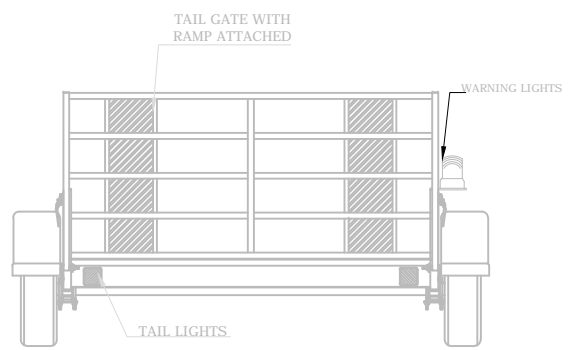
DRAWN BY MSR / DATE 13-06-21

CHECKED BY / SCALE NTS

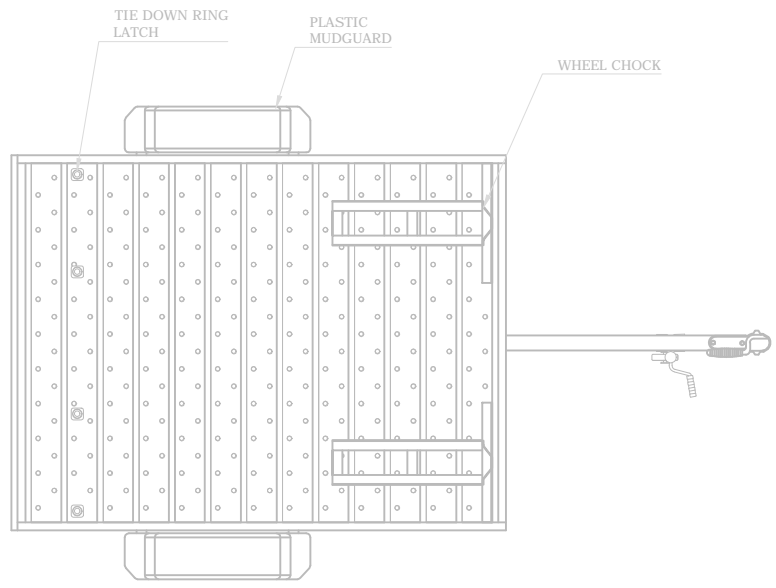
APPROVED BY / LUGG NO LUG0213



SIDE VIEW



REAR VIEW



PLAN

NOTE :
*ALL DIMENSIONS ARE IN MM

CLIENT :

MANUFACTURER :



ABU DHABI
Email : info@f1trailers.ae

TITLE
MOTOR CYCLE TRAILER

DRAWN BY	MSR	DATE
CHECKED BY		SCALE
APPROVED BY		NTS
		DWG NO